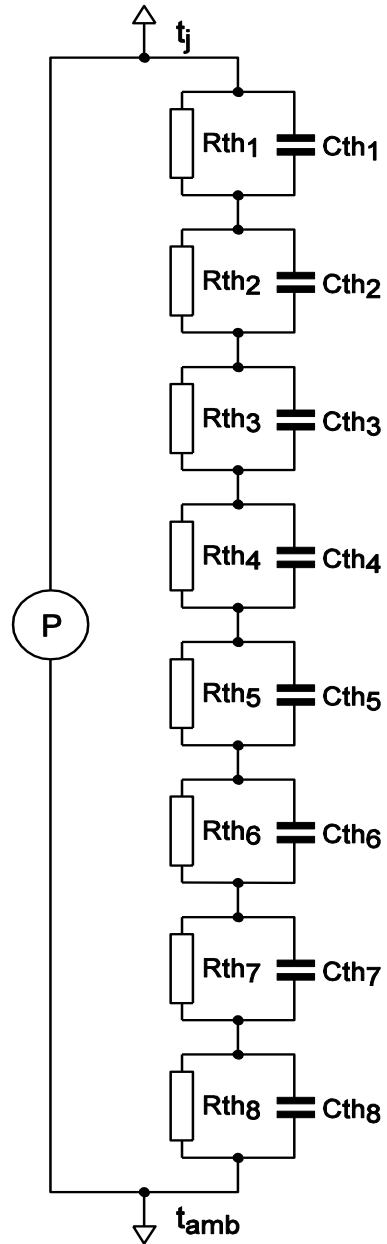


## SPICE thermal model

BUK763R6-40C

Symbol	Parameter	Conditions	Min	Typ	Max	Unit
$R_{th(j-mb)}$	thermal resistance from junction to mounting base		-	-	0.74	K/W

$C_{th1}$	2.480E-01 F
$C_{th2}$	2.300E-02 F
$C_{th3}$	3.726E-03 F
$C_{th4}$	6.145E-04 F
$C_{th5}$	1.013E-04 F
$C_{th6}$	1.671E-05 F
$C_{th7}$	2.756E-06 F
$C_{th8}$	4.546E-07 F
$R_{th1}$	4.030E-01 $\Omega$
$R_{th2}$	2.260E-01 $\Omega$
$R_{th3}$	7.000E-02 $\Omega$
$R_{th4}$	2.200E-02 $\Omega$
$R_{th5}$	6.687E-03 $\Omega$
$R_{th6}$	2.069E-03 $\Omega$
$R_{th7}$	6.400E-04 $\Omega$
$R_{th8}$	1.980E-04 $\Omega$



001aal768

Part: BUK763R6-40C  
 Version: 1  
 Date: 17-9-2010  
 Rth: 0.735337816